

PROLINE 100™ Series SE Multi-Bag Filter Housing



PROLINE 100 Series SE multi-bag filter housing with 8 filter bag capacity

High-volume multi-bag filter housing with QIC-LOCK™ opening mechanism

Eaton's PROLINE 100 Series SE multi-bag filter housing is user-friendly, cost-effective and designed for high volume applications and processes demanding frequent filter bag change-outs. Ideal for batch process runs and high dirt load applications.

This multi-bag filter housing with the QIC-LOCK opening mechanism is the most competitively priced multi-bag filter housing Eaton has to offer. Units are available in 4, 6 and 8 filter bag configurations and come standard with filter bag size O2 stainless steel restrainer baskets.

Features

- 100 psi (6.9 bar), non-code bag filter housing, for a wide variety of filtration applications
- Low profile design with side inlet and tangential outlet provides easy and full drainage and reduces housing height to make filter bag change-outs easier. No need for ladders, stools or catwalks

- Positive O-ring sealing provides bypass-free, safe filtration while the unique 3-point hold down ensures a high-quality seal between each filter bag and the housing body
- QIC-LOCK opening mechanism allows for safe, easy and fast filter bag change-outs for higher productivity and lower operating costs. Ideal for processes requiring frequent filter bag changes such as batch applications
- Automatic safety interlock for venting housing (cover cannot be opened if housing is under pressure)
- A counter-balanced, spring-assisted cover lifting mechanism allows for quick and easy opening of even large covers by one person

- 304 stainless steel construction with bead-blast, external finish
- 150# RF flanged inlet and outlet ports for side inlet and tangential outlet configuration
- Heavy-duty stainless steel mounting legs are included

Options

- Available as in-line or loop piping configuration (shown)
- Buna-N® O-rings for the cover are standard. Viton® or EPDM are available

Viton® is a registered trademark of E. I. du Pont de Nemours and company.

EATON

Powering Business Worldwide



Opening the housing for change-out is simple and quick. Disengaging the safety interlock releases system pressure.



A few turns of the hand wheel opens the V-clamp collar so the cover can be lifted.

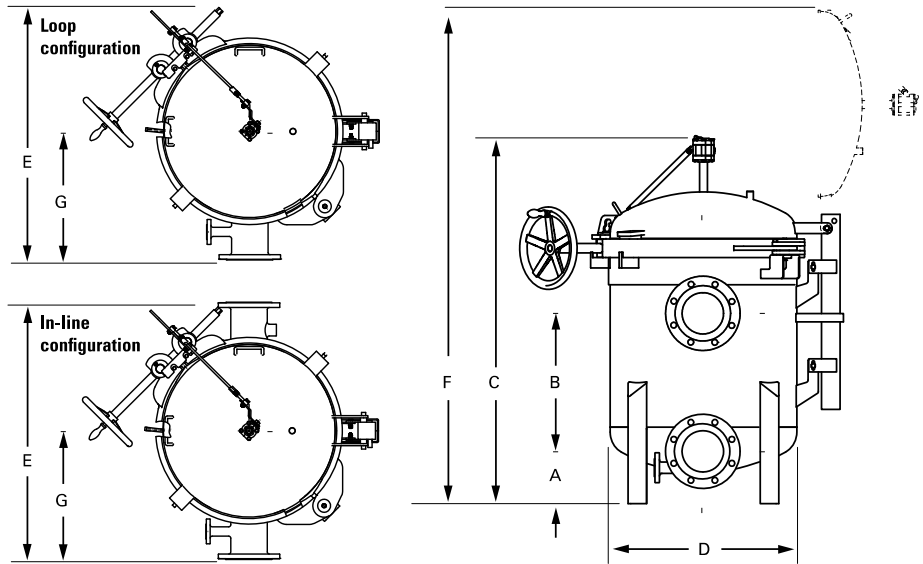


The counter-balanced hinge allows the cover to be lifted with ease and stay in any position for filter bag change-out.

PROLINE 100 Series SE Multi-Bag Filter Housing

Applications

Coarse filtration > 500 µm	✓
Medium filtration > 10 µm	✓
Fine filtration < 10 µm	✓
Pre-filtration	✓
Safety filtration	✓
High volume	✓
Batch filtration	✓
Circuit filtration	✓
Continuous filtration	
Solvents, paints	✓
Fats and oils	✓
Catalyst, activated carbon	
Acids, bases	✓
Petrochemicals	✓
Water, waste water	✓
Chemical industry	✓
Pharmaceuticals	
Metal cleaning	✓
Automotive	✓
Electronics	
Food and beverage	
Paint and lacquer	✓
Water treatment	✓
Galvanic industry	



Dimensions - inch (mm)

Models	A	B	C	D	E	F	G
VPMBF-0402-BB07-040A-NT-11SE	10.06 (256)	20.75 (527)	55.63 (1413)	22.00 (559)	36.00 (914)	71.13 (1807)	17.75 (451)
VPMBF-0402-BB07-040A-NT-11SE-L	10.06 (256)	20.75 (527)	55.63 (1413)	22.00 (559)	36.00 (914)	71.13 (1807)	17.75 (451)
VPMBF-0602-BB07-060A-NT-11SE	7.88 (200)	20.81 (529)	55.44 (1408)	31.50 (800)	47.00 (1194)	78.88 (2003)	23.50 (597)
VPMBF-0602-BB07-060A-NT-11SE-L	7.88 (200)	20.81 (529)	55.44 (1408)	31.50 (800)	46.13 (1172)	78.88 (2003)	23.50 (597)
VPMBF-0802-BB07-060A-NT-11SE	7.88 (200)	20.81 (529)	55.44 (1408)	31.50 (800)	47.00 (1194)	78.88 (2003)	23.50 (597)
VPMBF-0802-BB07-060A-NT-11SE-L	7.88 (200)	20.81 (529)	55.44 (1408)	31.50 (800)	46.13 (1172)	78.88 (2003)	23.50 (597)

Dimensions for reference only and approximate. Exact dimensions for installation purposes available on request.

Technical data

Models	No. of filter bags	Size	Flow rate ¹ GPM (m ³ /h)	Max. pressure psi (bar)	Max. temp. °F (°C)	Housing volume gal (l)	Housing weight lb (kg)	I/O connections
VPMBF-0402-BB07-040A-NT-11SE	4	2	400 (91)	100 (6.9)	176 (80)	56 (212)	432 (196)	4" in-line
VPMBF-0402-BB07-040A-NT-11SE-L	4	2	400 (91)	100 (6.9)	176 (80)	56 (212)	432 (196)	4" loop
VPMBF-0602-BB07-060A-NT-11SE	6	2	900 (204)	100 (6.9)	176 (80)	120 (454)	712 (323)	6" in-line
VPMBF-0602-BB07-060A-NT-11SE-L	6	2	900 (204)	100 (6.9)	176 (80)	120 (454)	712 (323)	6" loop
VPMBF-0802-BB07-060A-NT-11SE	8	2	900 (204)	100 (6.9)	176 (80)	120 (454)	736 (338)	6" in-line
VPMBF-0802-BB07-060A-NT-11SE-L	8	2	900 (204)	100 (6.9)	176 (80)	120 (454)	736 (338)	6" loop

¹ Maximum theoretical flow based on water viscosity, filter bag specific.

US
EF-FBH-03
6-2015