

MAXILINE™ VMBF Multi-Bag Filter Housing



Designed for high capacity and easy, safe change-outs

Eaton's MAXILINE VMBF multi-bag filter housing is user-friendly, cost-effective and designed for high volume applications and processes demanding frequent filter bag change-outs. Ideal for batch process runs and high dirt load applications.

This multi-bag filter housing is equipped with the QIC-LOCK™ opening mechanism. Units are available in 4, 6, 8, 10 and 12 filter bag configurations and come standard with filter bag size 02 stainless steel restrainer baskets.

Features

- Low profile design with side inlet and tangential outlet provides easy and full drainage and reduces housing height to make filter bag change-outs easier. No need for ladders, stools or catwalks
- Positive O-ring sealing provides bypass-free, safe filtration while the unique 3-point hold down ensures a high-quality seal between each filter bag and the housing body

- QIC-LOCK opening mechanism allows for safe, easy and fast filter bag change-outs for higher productivity and lower operating costs. Ideal for processes requiring frequent filter bag changes such as batch applications
- Automatic safety interlock for venting housing (cover cannot be opened if housing is under pressure)
- A counter-balanced, spring-assisted cover lifting mechanism allows for quick and easy opening of even large covers by one person
- Heavy-duty stainless steel mounting legs are included
- Designed in accordance with Section VIII, Division 1 of the ASME Code (standard in the US), "AD 2000-Merkblätter", EN 13445 and PED (standard in EMEA)

Options

- Available in 304 or 316 stainless steel for high corrosion resistance
- Buna N® O-rings for the cover are standard. EPDM, Viton® or silicone rubber seals and gaskets are available
- Multiple I/O connections to suit application

Viton® is a registered trademark of E. I. du Pont de Nemours and company.



QIC-LOCK rapid opening mechanism ensures simple, operator-friendly, and safe operation with minimal downtime to increase productivity and decrease running costs

EATON

Powering Business Worldwide

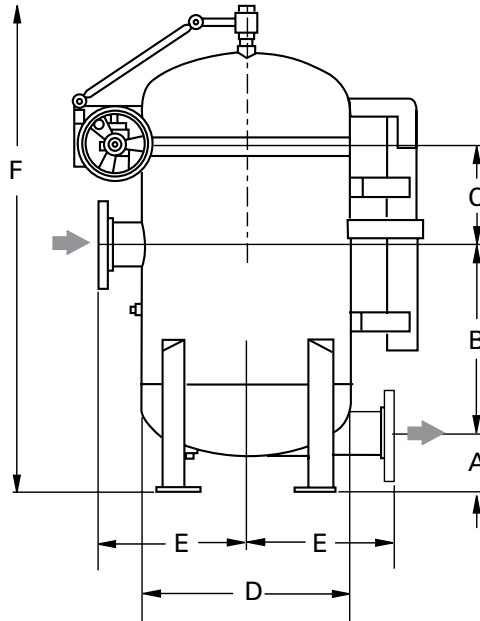
MAXILINE VMBF Multi-Bag Filter Housing

Applications

Coarse filtration > 500 µm	✓
Medium filtration >10 µm	✓
Fine filtration < 10 µm	✓

Pre-filtration	✓
Safety filtration	✓
High volume	✓
Batch filtration	✓
Circuit filtration	✓
Continuous filtration	

Solvents, paints	✓
Fats and oils	✓
Catalyst, activated carbon	
Acids, bases	✓
Petrochemicals	✓
Water, waste water	✓
Chemical industry	✓
Pharmaceuticals	
Metal cleaning	✓
Automotive	✓
Electronics	
Food and beverage	
Paint and lacquer	✓
Water treatment	✓
Galvanic industry	



Dimensions - inch (mm)

Models	A	B	C	D	E	F
VMBF-0402	6.00 (152)	20.00 (508)	10.47 (266)	22.00 (559)	15.75 (400)	68.00 (1,727)
VMBF-0602*	7.25 (184)	20.00 (508)	12.78 (325)	31.50 (800)	20.50 (521)	82.00 (2,083)
VMBF-0802	8.25 (210)	19.00 (483)	12.78 (325)	31.50 (800)	20.50 (521)	82.00 (2,083)
VMBF-1002*	10.00 (254)	19.00 (483)	14.37 (365)	38.00 (965)	25.00 (635)	92.00 (2,337)
VMBF-1202	10.00 (254)	19.00 (483)	14.37 (365)	38.00 (965)	25.00 (635)	92.00 (2,337)

Dimensions for reference only and approximate. Exact dimensions for installation purposes available on request. The 8 bag loop style dimensions are available on the Eaton website. Metric measures represent comparable products produced for EMEA and may not be an exact conversions.

Technical data

Models	No. of filter bags	Size	Flow rate ¹ GPM (m³/h)	Max. pressure psi (bar)	Max. temp. °F (°C)	Housing volume gal (l)	Housing weight lb (kg)	I/O connections
VMBF-0402	4	2	705 (160)	150 (10)	250 (121)	69 (261)	484 (220)	4"
VMBF-0602*	6	2	1,057 (240)	150 (10)	250 (121)	139 (526)	920 (417)	6"
VMBF-0802	8	2	1,409 (320)	150 (10)	250 (121)	141 (534)	970 (440)	8"
VMBF-1002*	10	2	1,761 (400)	150 (10)	250 (121)	248 (939)	1,050 (476)	10"
VMBF-1202	12	2	2,114 (480)	150 (10)	250 (121)	248 (939)	1,070 (485)	10"

¹ Maximum theoretical flow based on water viscosity, filter bag specific.

Metric measures represent comparable products produced for EMEA and may not be an exact conversions. * Available in the US only.

North America
44 Apple Street
Tinton Falls, NJ 07724
Toll Free: 800 656-3344
(North America only)
Tel: +1 732 212-4700

Europe/Africa/Middle East
Auf der Heide 2
53947 Nettersheim, Germany
Tel: +49 2486 809-0

Internormen Product Line
Friedensstraße 41
68804 Altluisheim, Germany
Tel: +49 6205 2094-0

Begerow Product Line
An den Nahewiesen 24
55450 Langenlonsheim, Germany
Tel: +49 6704 204-0

China
No. 3, Lane 280,
Linhong Road
Changning District, 200335
Shanghai, P.R. China
Tel: +86 21 5200-0099

Singapore
4 Loyang Lane #04-01/02
Singapore 508914
Tel: +65 6825-1668

Brazil
Av. Julia Gaioli, 474 – Bonsucesso
07251-500 – Guarulhos, Brazil
Tel: +55 11 2465-8822

For more information, please
email us at filtration@eaton.com
or visit www.eaton.com/filtration

© 2014 Eaton. All rights reserved. All trademarks and registered trademarks are the property of their respective owners. All information and recommendations appearing in this brochure concerning the use of products described herein are based on tests believed to be reliable. However, it is the user's responsibility to determine the suitability for his own use of such products. Since the actual use by others is beyond our control, no guarantee, expressed or implied, is made by Eaton as to the effects of such use or the results to be obtained. Eaton assumes no liability arising out of the use by others of such products. Nor is the information herein to be construed as absolutely complete, since additional information may be necessary or desirable when particular or exceptional conditions or circumstances exist or because of applicable laws or government regulations.

US
EF-FBH-05
10-2014