

FLOWLINE™ Single Bag Filter Housing



Lightweight, cost-effective single bag filter housing meets a wide range of applications

Eaton's FLOWLINE single bag filter housing is a versatile, heavy-duty, cost-effective bag filter housing and the best choice for industrial, commercial and OEM applications that do not require a code stamp.

This single bag filter housing's lightweight but robust construction incorporates valuable features that heavy-duty applications demand. Units come standard with filter bag size 01 or 02 stainless steel restrainer baskets.

Features

- Side inlet with evacuation cover prevents spillage of unfiltered liquid, allowing for clean and easy filter bag change-outs
- Easy open cover features integral handle, 1/4" vent and gauge ports and "no tools" eye-bolt closures
- Cover opening direction easily adapts to different piping layouts and adjusts in the field to accommodate walls, posts or other obstructions

- Fabricated construction provides a cost-effective, lighter weight alternative to cast bag filter housings
- Adjustable mounting legs for simplified installation
- Ergonomic, integral cover handle is easy to open
- Smooth, bead-blasted finish, coupled with a minimum number of welds makes it easy to completely clean the interior
- Standard design available with threaded or flanged connections

Options

- Available in 316 stainless steel for high corrosion resistance or carbon steel. 316 Ti stainless steel version available in EMEA
- Buna-N® O-rings for the cover are standard. EPDM or Viton® seals and gaskets are available
- Multiple I/O connections to suit application

Viton® is a registered trademark of E. I. du Pont de Nemours and company.

EATON

Powering Business Worldwide



Compression bag hold down creates 360 degree sealing between filter bag and bag filter housing

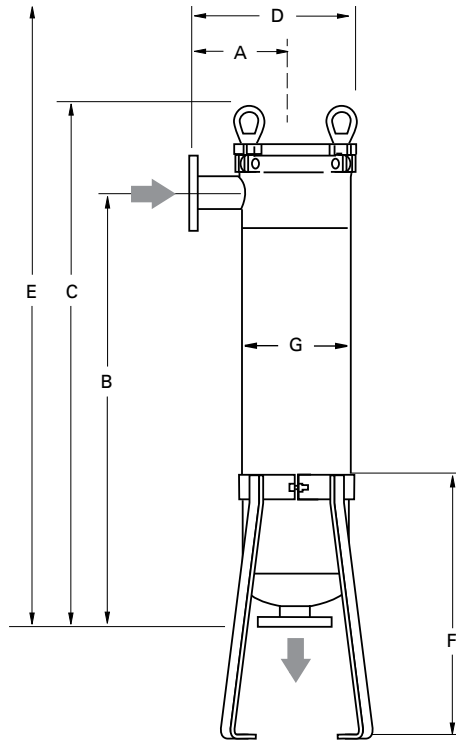


Ergonomic, integral cover handle is easy to open and close

FLOWLINE Single Bag Filter Housing

Applications

Coarse filtration > 500 µm	✓
Medium filtration > 10 µm	
Fine filtration < 10 µm	
Pre-filtration	✓
Safety filtration	
High volume	
Batch filtration	✓
Circuit filtration	
Continuous filtration	
Solvents, paints	
Fats and oils	
Catalyst, activated carbon	
Acids, bases	
Petrochemicals	
Water, waste water	✓
Chemical industry	
Pharmaceuticals	
Metal cleaning	✓
Automotive	
Electronics	
Food and beverage	
Paint and lacquer	
Water treatment	✓
Galvanic industry	



Dimensions - inch (mm)

Models	A	B	C	D	E	F	G
FBF-0101	5.37 (136)	19.64 (499)	26.38 (670)	10.42 (265)	37.00 (939)	19.10 (485)	7.68 (195)
FBF-0102	5.37 (136)	35.19 (894)	41.68 (1,059)	10.42 (265)	67.75 (1,708)	19.10 (485)	7.68 (195)
FBF-0101	6.70 (150)	20.78 (487)	27.62 (701)	11.75 (299)	38.00 (965)	19.10 (485)	7.68 (195)
FBF-0102	6.70 (150)	36.31 (882)	42.88 (1,089)	11.75 (299)	69.00 (1,753)	19.10 (485)	7.68 (195)
FBF-0102*	8.00 (203)	37.19 (945)	43.79 (1,112)	13.07 (332)	70.20 (1,783)	19.10 (485)	7.68 (195)

Dimensions for reference only and approximate. Exact dimensions for installation purposes available on request.
Metric measures represent comparable products produced for EMEA and may not be an exact conversion from inches.

Technical data

Models	No. of filter bags	Size	Flow rate ¹ GPM (m³/h)	Max. pressure psi (bar)	Max. temp. °F (°C)	Housing volume gal (l)	Housing weight lb (kg)	I/O connections
FBF-0101	1	01	88 (20)	150 (10)	250 (120)	4 (15.5)	30 (13.6)	2" thread
FBF-0102	1	02	176 (40)	150 (10)	250 (120)	7 (27.0)	43 (19.5)	2" thread
FBF-0101	1	01	88 (20)	150 (10)	250 (120)	4 (15.5)	40 (21.5)	2" flange
FBF-0102	1	02	176 (40)	150 (10)	250 (120)	7 (27.0)	53 (27.0)	2" flange
FBF-0102*	1	02	176 (40)	150 (10)	250 (120)	7 (27.0)	61 (27.6)	3" flange

¹ Maximum theoretical flow based on water viscosity, filter bag specific.
Metric measures represent comparable products produced for EMEA and may not be an exact conversions. * Available in the US only.

US
EF-FBH-12
10-2014

© 2014 Eaton. All rights reserved. All trademarks and registered trademarks are the property of their respective owners. All information and recommendations appearing in this brochure concerning the use of products described herein are based on tests believed to be reliable. However, it is the user's responsibility to determine the suitability for his own use of such products. Since the actual use by others is beyond our control, no guarantee, expressed or implied, is made by Eaton as to the effects of such use or the results to be obtained. Eaton assumes no liability arising out of the use by others of such products. Nor is the information herein to be construed as absolutely complete, since additional information may be necessary or desirable when particular or exceptional conditions or circumstances exist or because of applicable laws or government regulations.